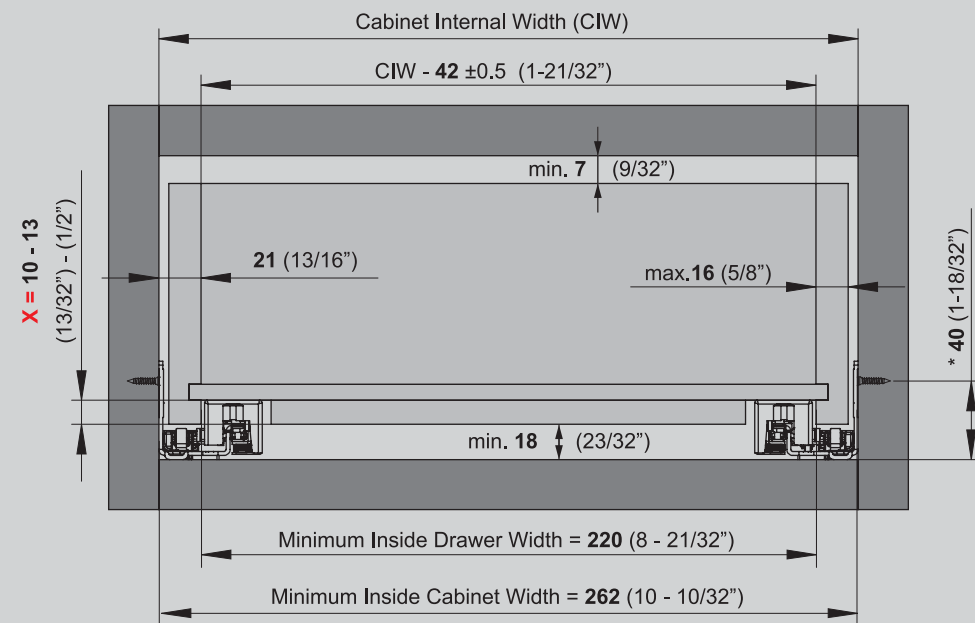
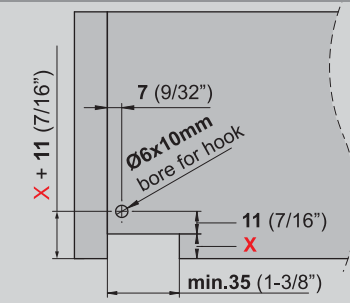


Drawer and Cabinet Dimensions



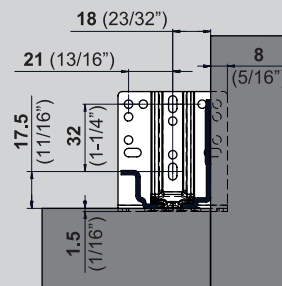
\*In frameless bottom mounting application minimum height of screw center should be (\*) min. 42mm (1- 21/32")

Drawer Back Preparation

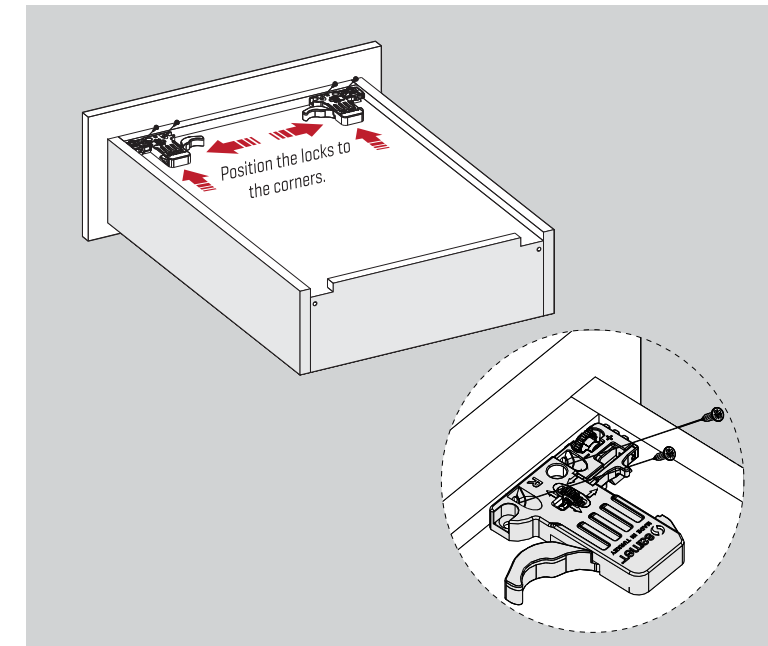
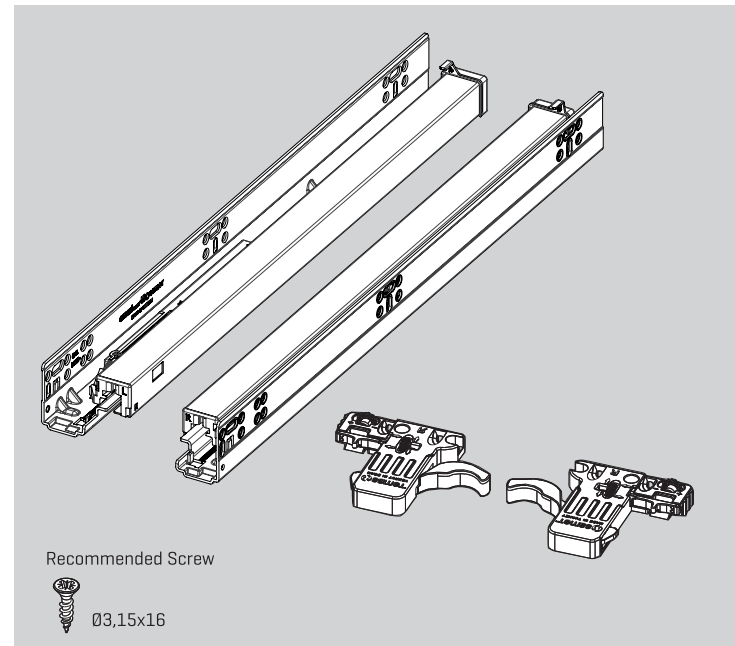


X = 10 - 13mm  
X = (13/32") - (1/2")

Rear Mounting Bracket

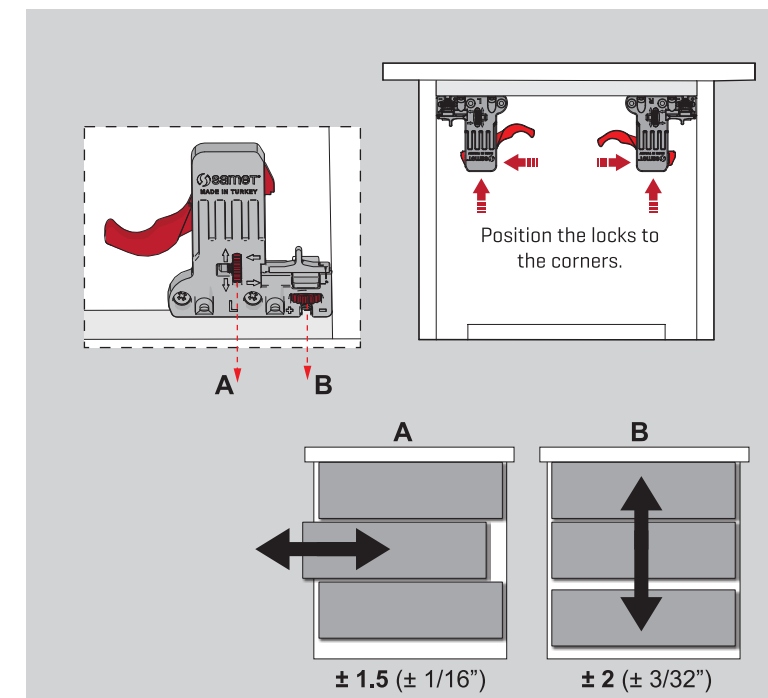
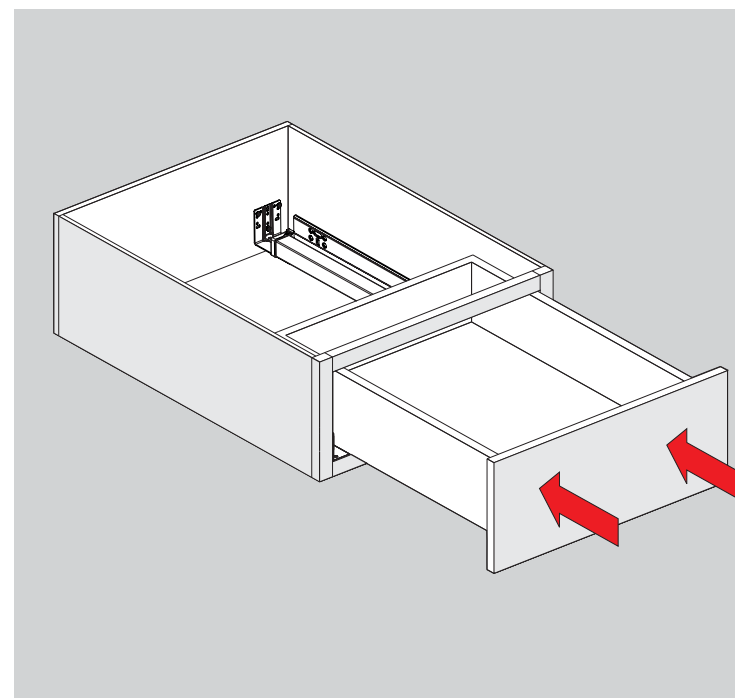
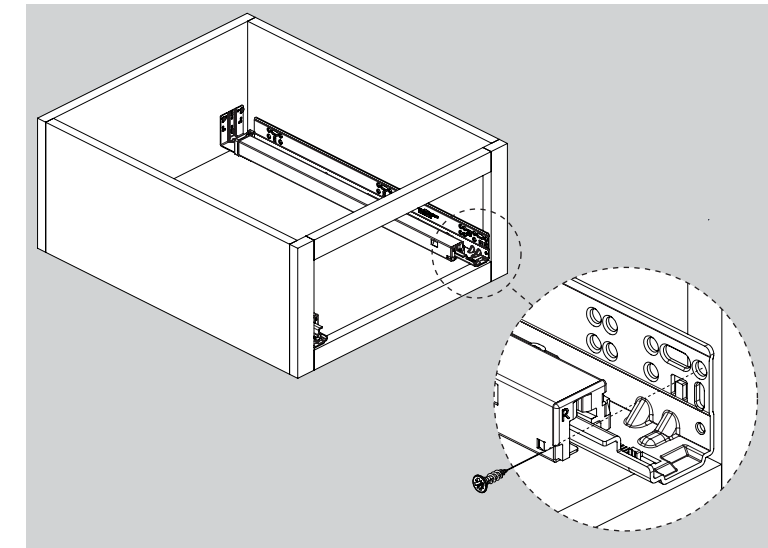
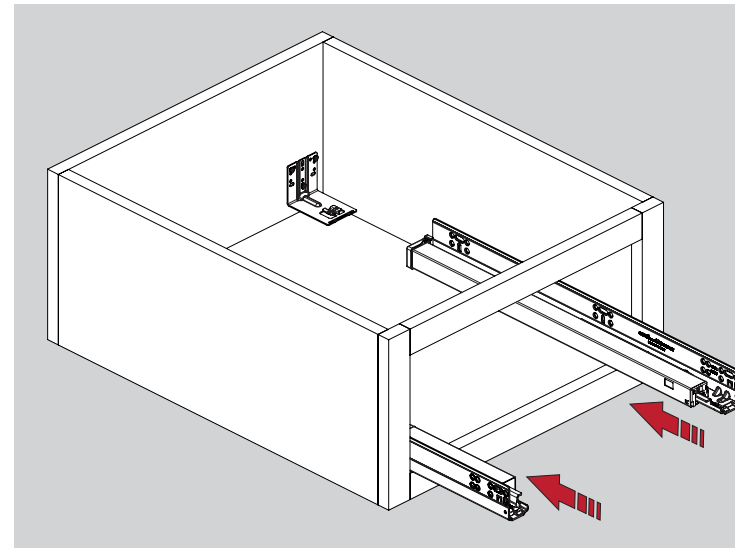
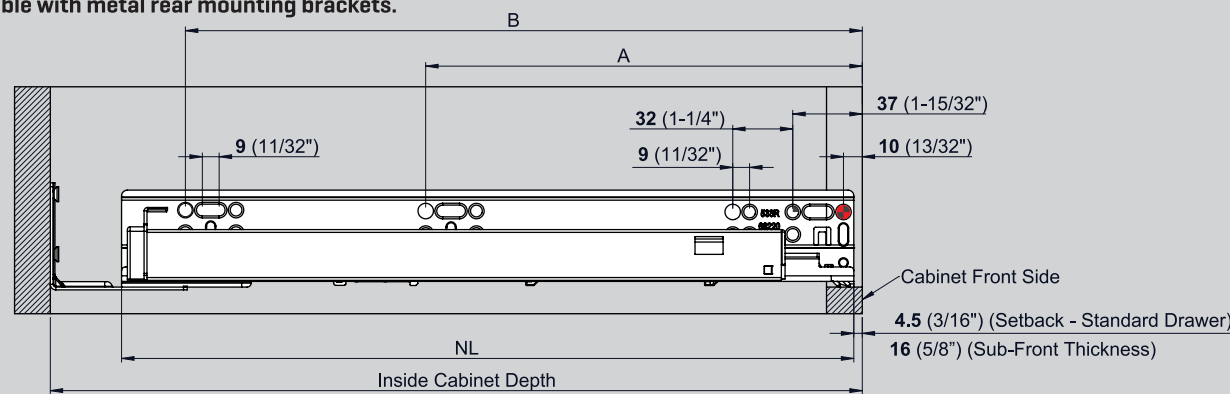


Note: Use a minimum of three screws per bracket.



Slide Mounting Specifications

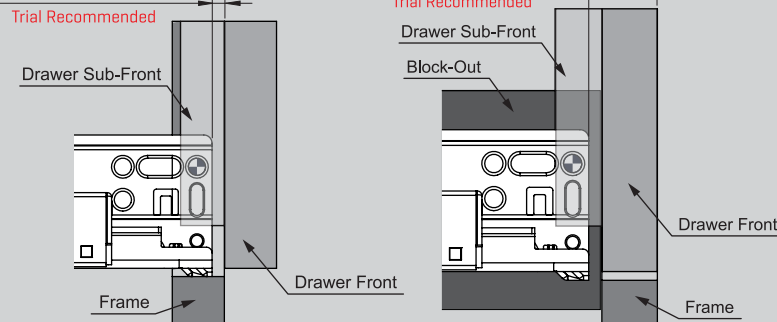
Compatible with metal rear mounting brackets.



Drawer Length	Inside cabinet depth with rear attachment		Slide Length (NL)	Screw locations for frameless cabinets	
	Max	Min		A	B
229 (9")	310 (12-7/32")	270 (10-5/8")	261 (10-9/32")	133 (5-7/32")	229 (9")
305 (12")	368 (14-1/2")	328 (12-29/32")	319 (12-9/16")	165 (6-1/2")	261 (10-9/32")
381 (15")	444 (17-1/2")	404 (15-29/32")	395 (15-9/16")	165 (6-1/2")	357 (14-1/16")
457 (18")	520 (20-1/2")	480 (18-29/32")	471 (18-17/32")	261 (10-9/32")	453 (17-27/32")
533 (21")	597 (23-1/2")	557 (21-15/16")	548 (21-9/16")	261 (10-9/32")	517 (20-3/8")

Runner Setback for Standard Drawer (See Standard Drawer Table)

Runner Setback for Inset Drawer (See Inset Drawer Table)



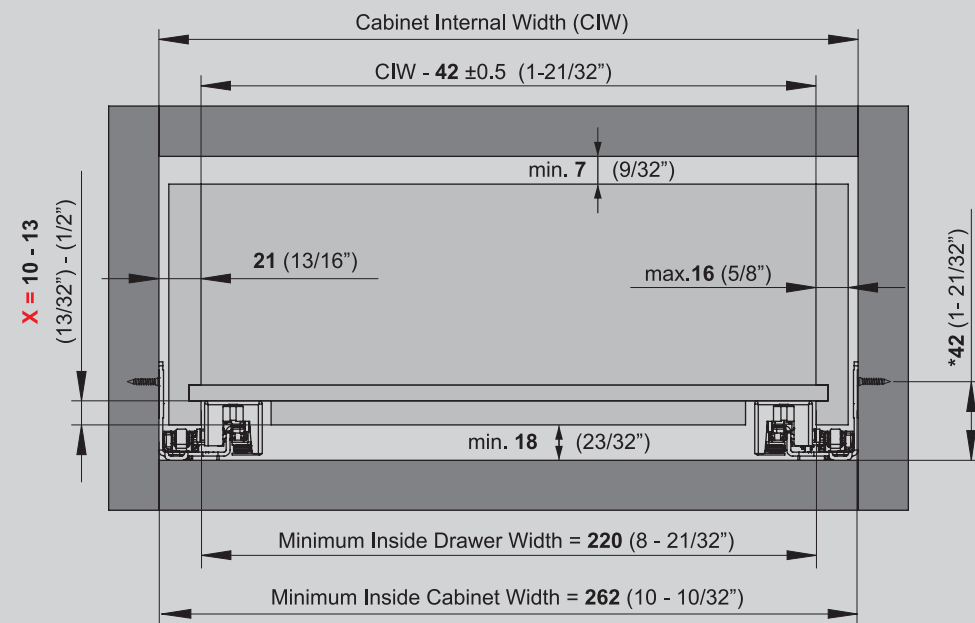
Standard Drawer		
Sub-Front Thickness	13 (1/2")	Setback
16 (5/8")	1.5 (1/16")	4.5 (3/16")
19 (3/4")	7.5 (5/16")	

Inset Drawer				
Sub-Front Thickness	Setback			
	13 (1/2")	17.5 (11/16")	20.5 (13/16")	23.5 (15/16")
16 (5/8")	20.5 (13/16")	23.5 (15/16")	26.5 (1-1/32")	
19 (3/4")	23.5 (15/16")	26.5 (1-1/32")	29.5 (1-5/32")	
	16 (5/8")	19 (3/4")	22 (7/8")	Drawer Front Thickness

Millimeter to inch Conversation Chart

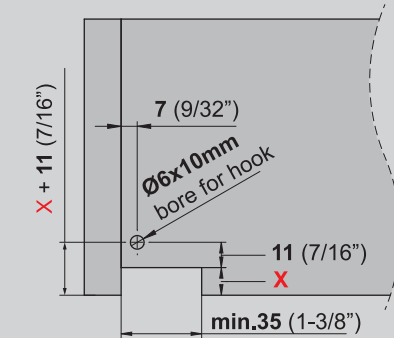
1	1.5	2	3	4	5	5.5	6	7	8	9	9.5	10	11	12	13	13.5	14	15	16	17	17.5	18	19	20	20.5	21	22	23	24	24.5	25.4
1/32	1/16	3/32	1/8	5/32	3/16	7/32	1/4	9/32	5/16	11/32	3/8	13/32	7/16	15/32	1/2	17/32	9/16	19/32	5/8	21/32	11/16	23/32	3/4	25/32	13/16	27/32	7/8	29/32	15/16	31/32	1

Drawer and Cabinet Dimensions

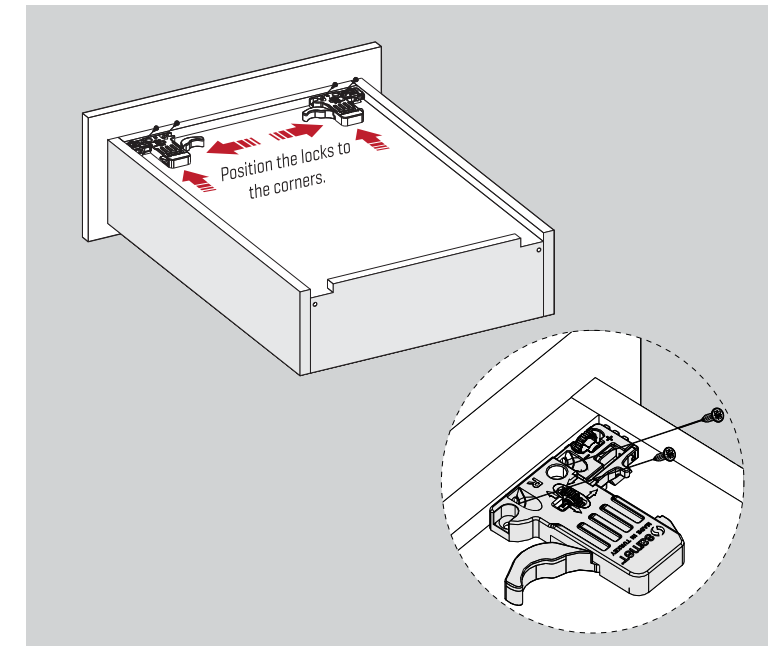
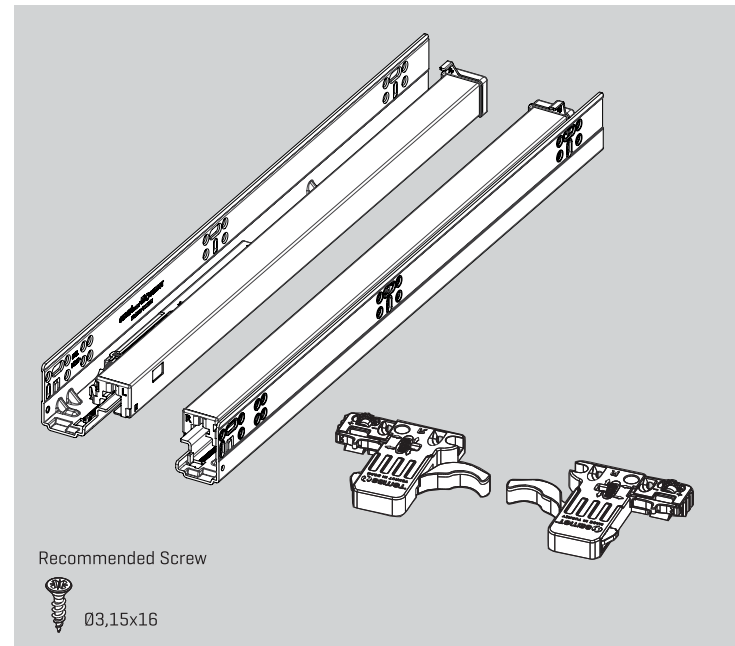


\*In frameless bottom mounting application minimum height of screw center should be (\*) min. 42mm (1- 21/32")

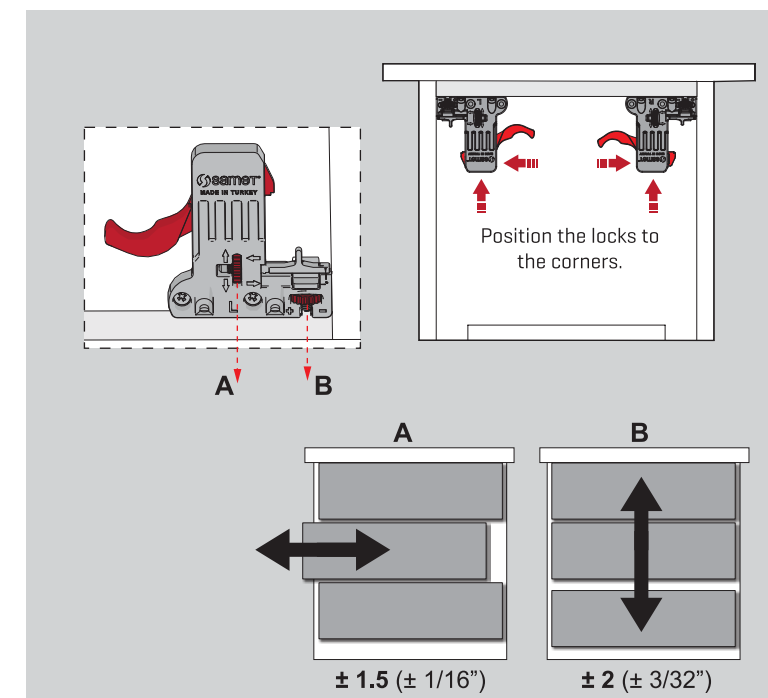
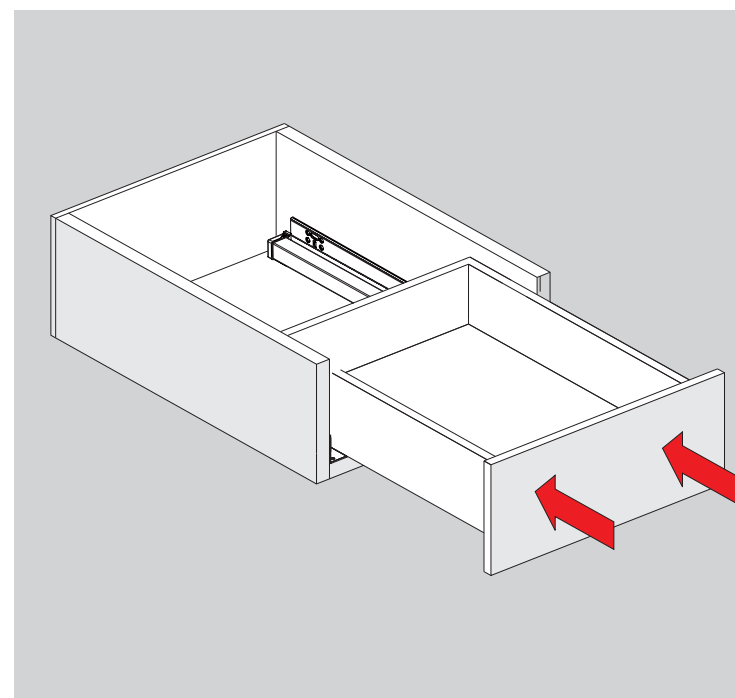
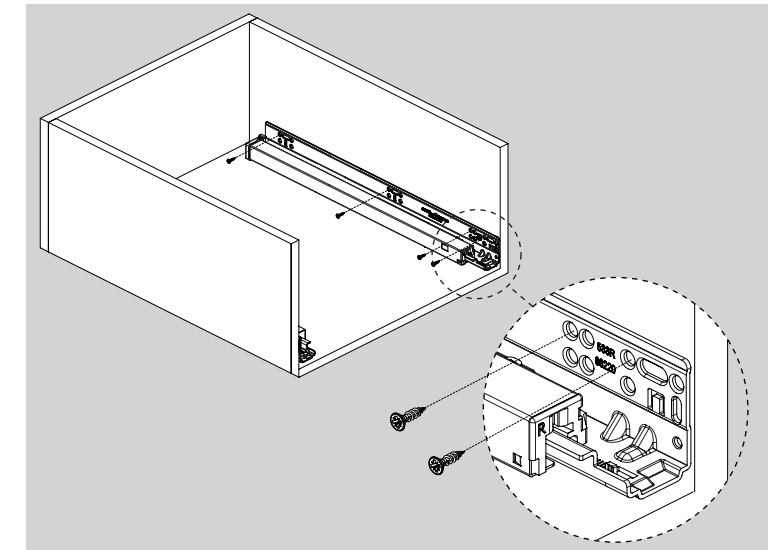
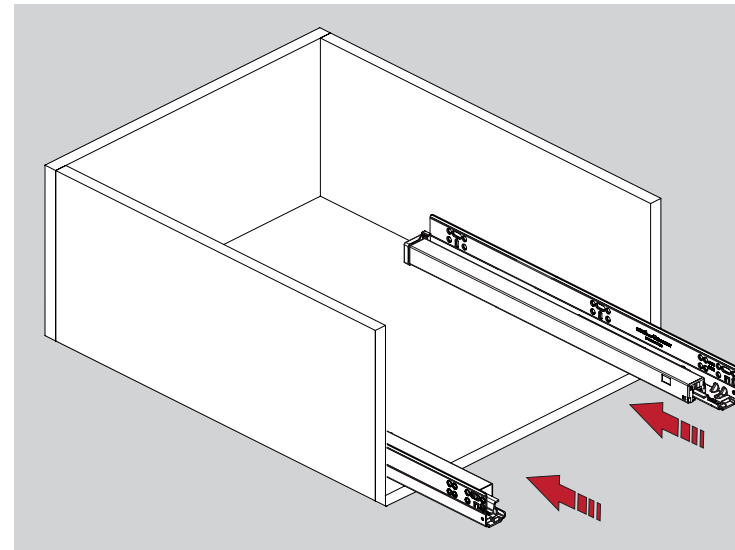
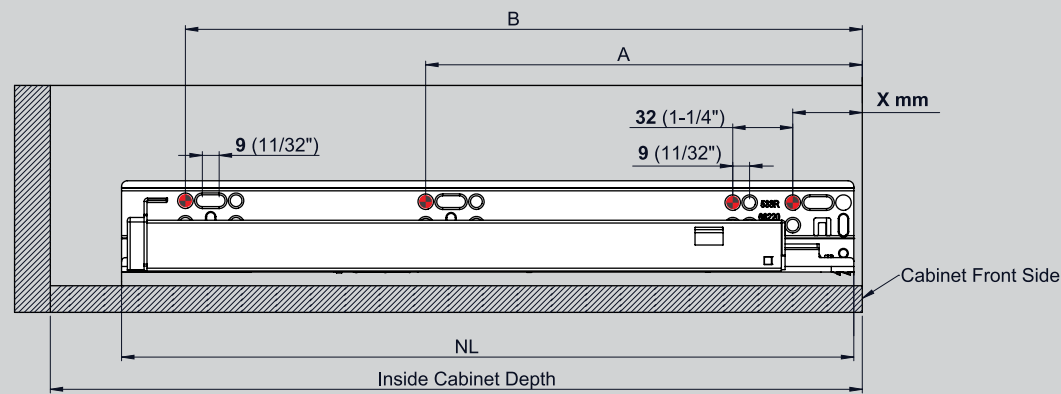
Drawer Back Preparation



X = 10 - 13mm  
X = (13/32") - (1/2")



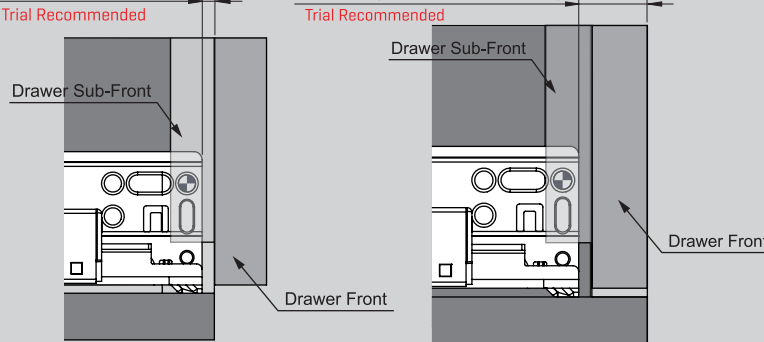
Slide Mounting Specifications



Drawer Length	Minimum Inside Cabinet Depth	Slide Length (NL)	Screw locations for frameless cabinets	
			A	B
229 (9")	270 (10-5/8")	261 (10-9/32")	133 (5-7/32")	229 (9")
305 (12")	328 (12-29/32")	319 (12-9/16")	165 (6-1/2")	261 (10-9/32")
381 (15")	404 (15-29/32")	395 (15-9/16")	165 (6-1/2")	357 (14-1/16")
457 (18")	480 (18-29/32")	471 (18-17/32")	261 (10-9/32")	453 (17-27/32")
533 (21")	557 (21-15/16")	548 (21-9/16")	261 (10-9/32")	517 (20-3/8")

Runner Setback for Standard Drawer (See Standard Drawer Table)

Runner Setback for Inset Drawer (See Inset Drawer Table)



Standard Drawer		X [Drilling Position]	
Sub-Front	13 (1/2")	34 (1-11/32")	
Thickness	16 (5/8")	37 (1-15/32")	
	19 (3/4")	40 (1-18/32")	

Inset Drawer		X [Drilling Position]		
Sub-Front Thickness	13 (1/2")	50 (1-31/32")	53 (2-3/32")	56 (2-7/32")
	16 (5/8")	53 (2-3/32")	56 (2-7/32")	59 (2-10/32")
	19 (3/4")	56 (2-7/32")	59 (2-10/32")	62 (2-14/32")
		16 (5/8")	19 (3/4")	22 (7/8")
Drawer Front Thickness				

Millimeter to inch Conversation Chart

1	1.5	2	3	4	5	5.5	6	7	8	9	9.5	10	11	12	13	13.5	14	15	16	17	17.5	18	19	20	20.5	21	22	23	24	24.5	25.4
1/32	1/16	3/32	1/8	5/32	3/16	7/32	1/4	9/32	5/16	11/32	3/8	13/32	7/16	15/32	1/2	17/32	9/16	19/32	5/8	21/32	11/16	23/32	3/4	25/32	13/16	27/32	7/8	29/32	15/16	31/32	1