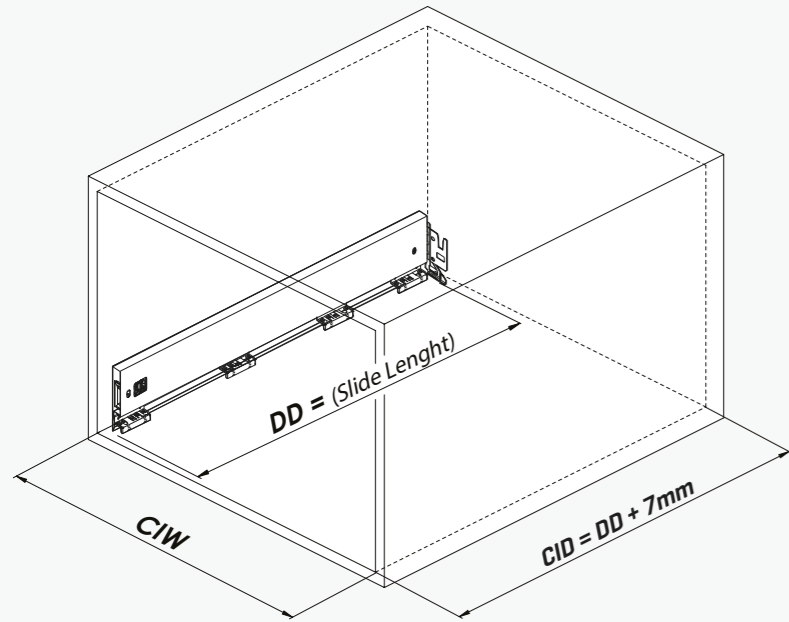
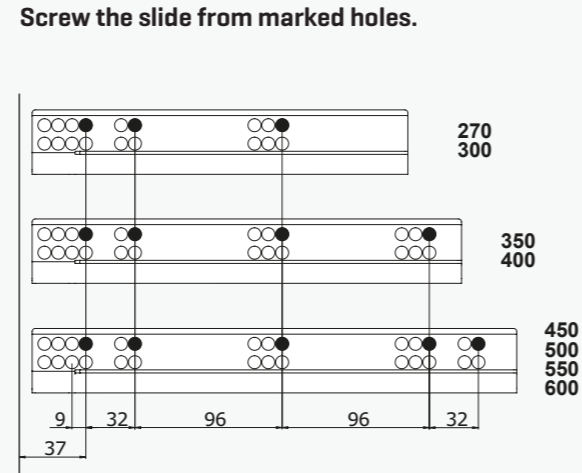


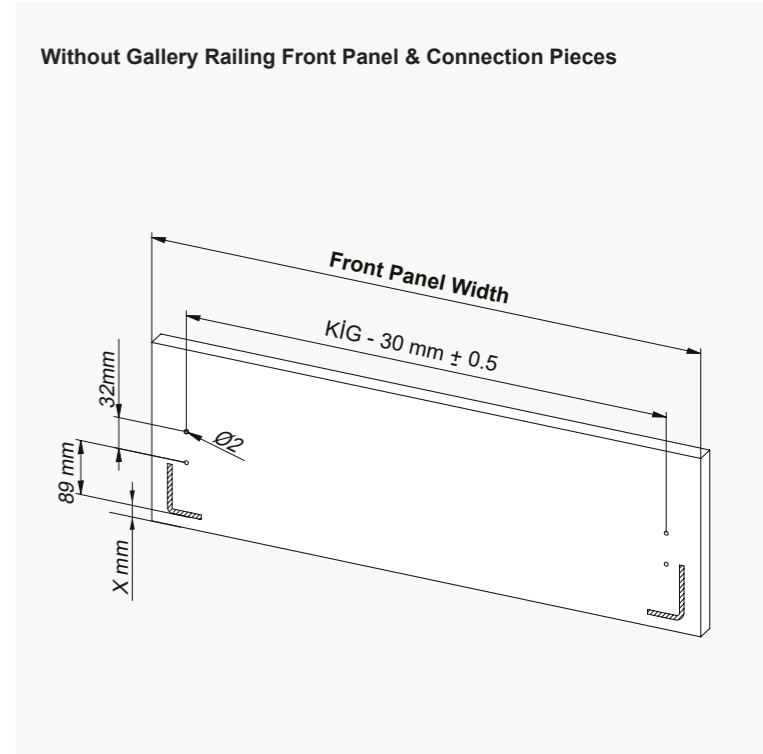
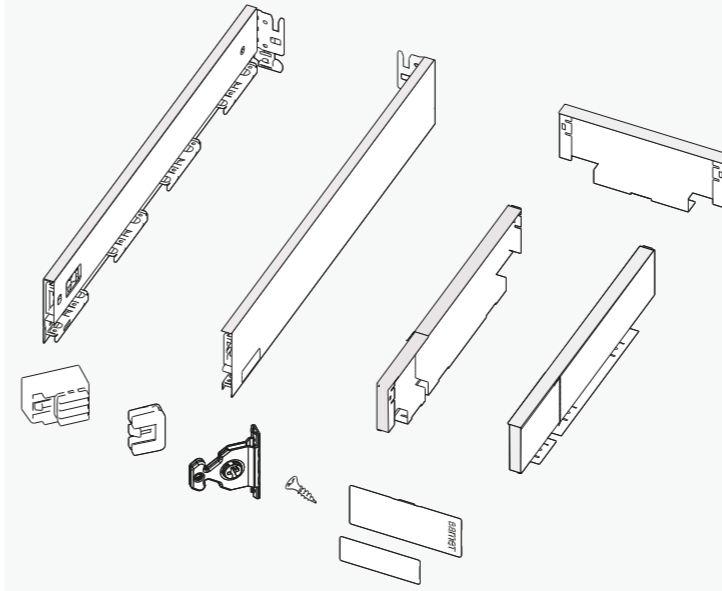
Cabinet Dimensions



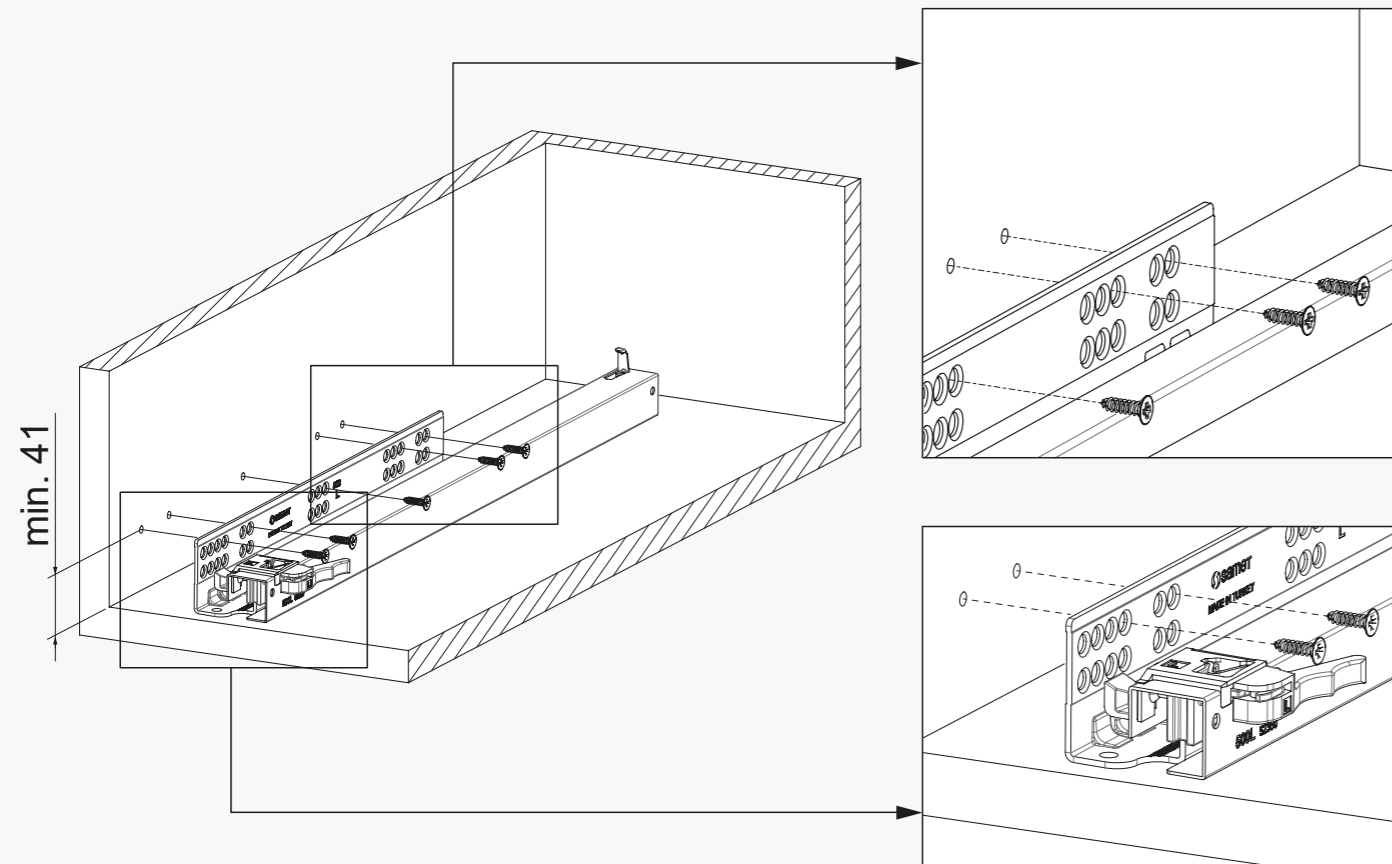
Screw Location for the Slides



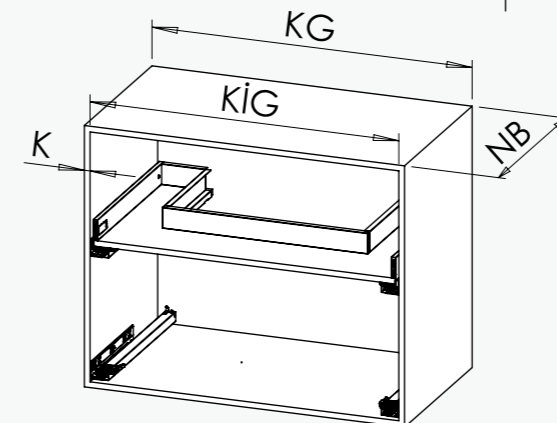
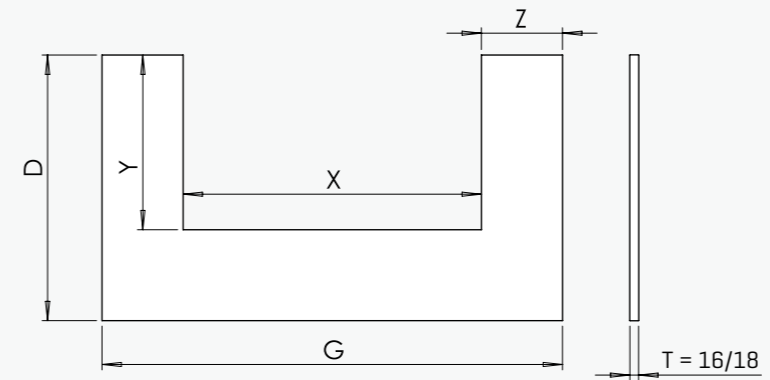
Parts



Screw Location for the Slides



Technical Dimensions



K = 16mm	KG:450	KG:600	KG:900	KG:1200
NB:350	X:160 Y:243 Z:117.5 D:338 G:396	X:160 Y:243 Z:192.5 D:338 G:546	X:160 Y:243 Z:342.5 D:338 G:846	X
NB:450	X:160 Y:243 Z:117.5 D:438 G:396	X:160 Y:243 Z:192.5 D:438 G:546	X:547 Y:271 Z:149 D:438 G:846	X
NB:500	X:160 Y:243 Z:117.5 D:488 G:396	X:160 Y:243 Z:192.5 D:488 G:546	X:547 Y:321 Z:149 D:488 G:846	X
K = 18mm	KG:450	KG:600	KG:900	KG:1200
NB:350	X:156 Y:243 Z:117.5 D:338 G:392	X:156 Y:243 Z:192.5 D:338 G:542	X:156 Y:243 Z:342.5 D:338 G:842	X
NB:450	X:156 Y:243 Z:117.5 D:438 G:392	X:156 Y:243 Z:192.5 D:438 G:542	X:543 Y:271 Z:149 D:438 G:842	X
NB:500	X:156 Y:243 Z:117.5 D:488 G:392	X:156 Y:243 Z:192.5 D:488 G:542	X:543 Y:321 Z:149 D:488 G:842	X

T = Base panel thickness that is determined while ordering.

Assembly

