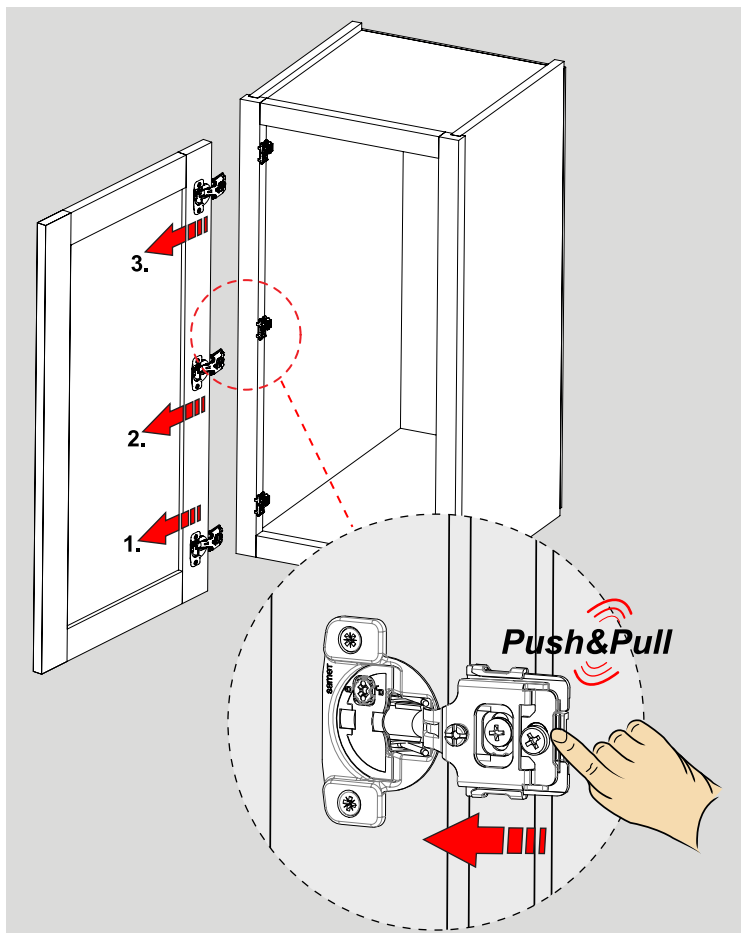
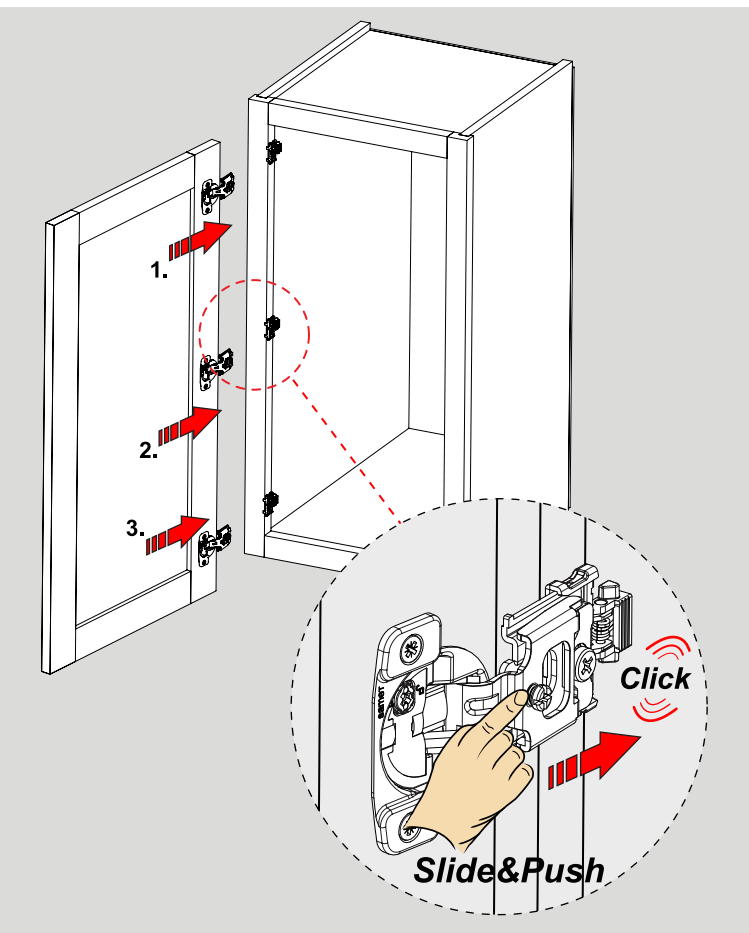
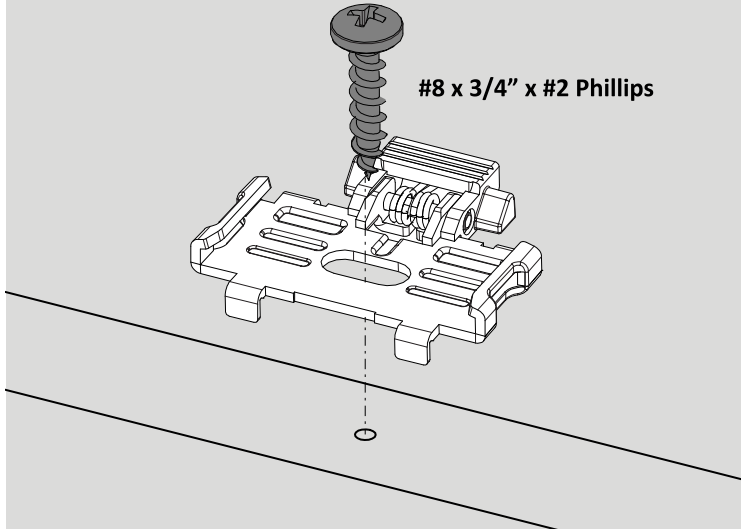
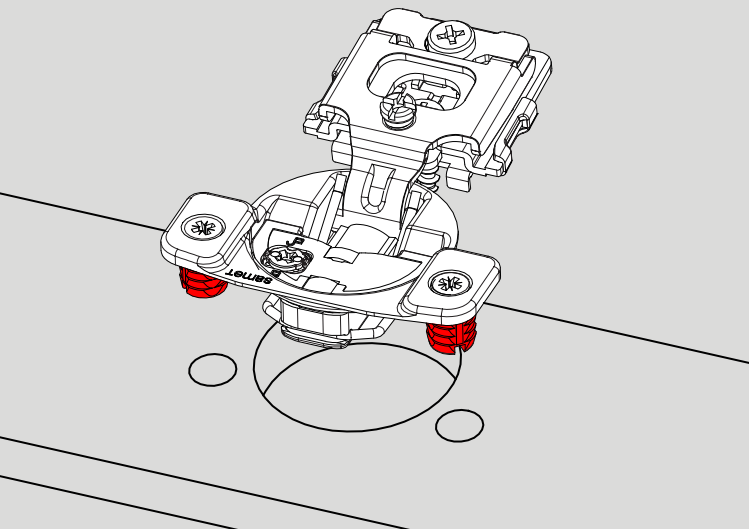
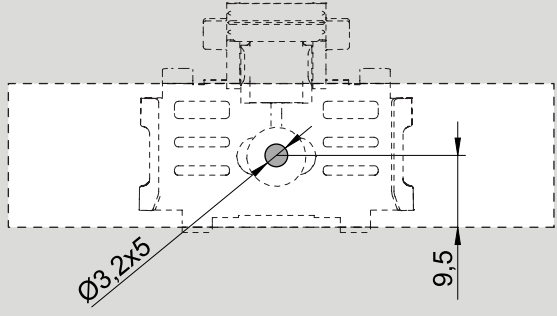
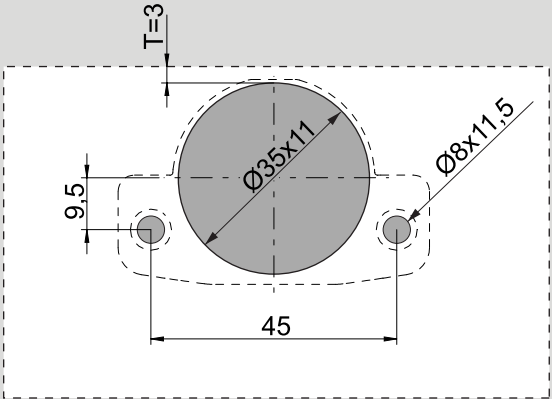
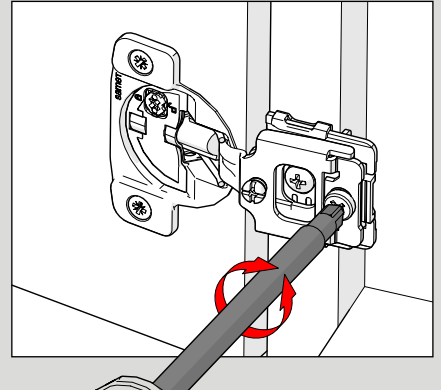
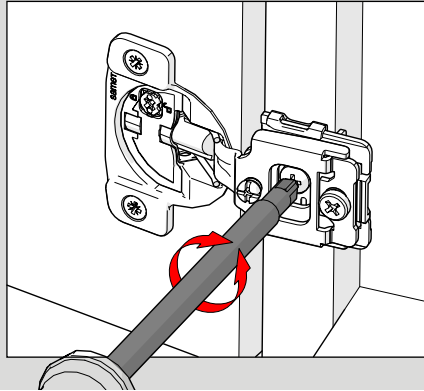
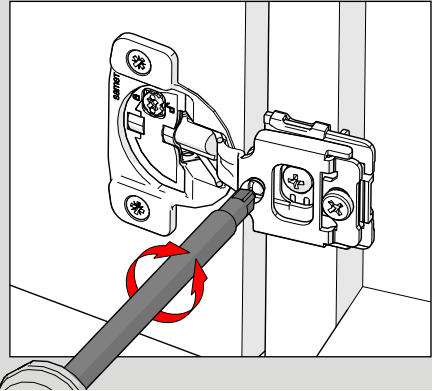
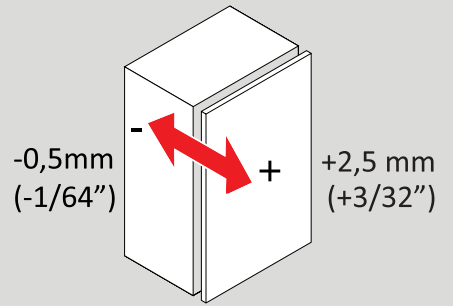
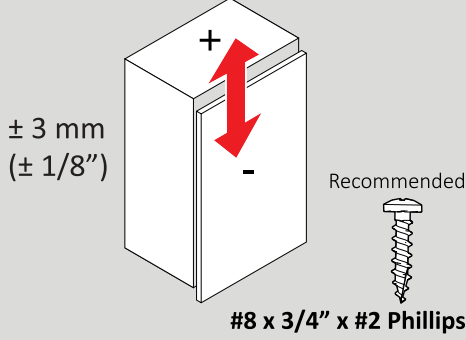
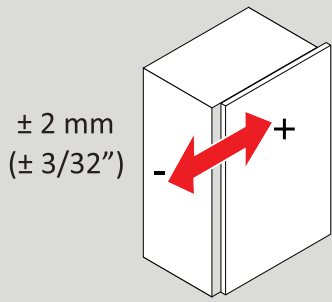


Technical Dimensions & Mounting



**Adjustments**



**Side Adjustment**

Rotate Screw Clockwise or  
Counterclockwise

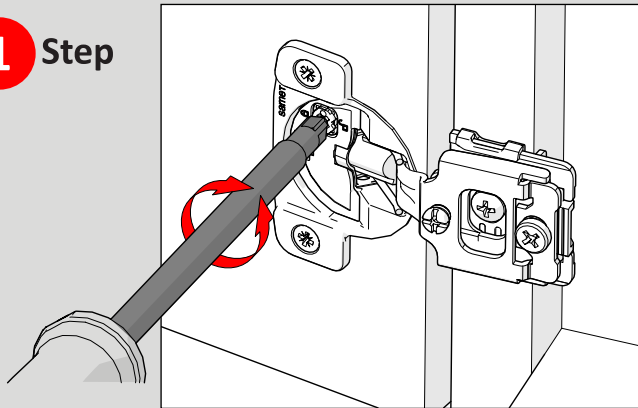
**Height Adjustment**

Loosen Screw, Align Door,  
Tighten Screw

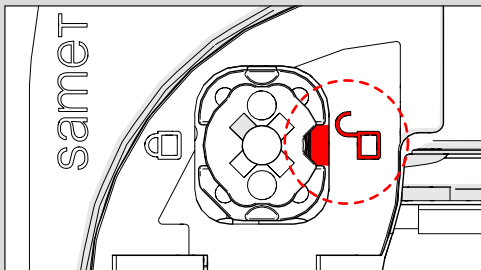
**Depth Adjustment**

Achievable Through Cam  
Adjustment

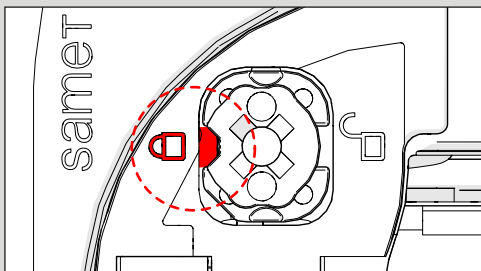
**1 Step**



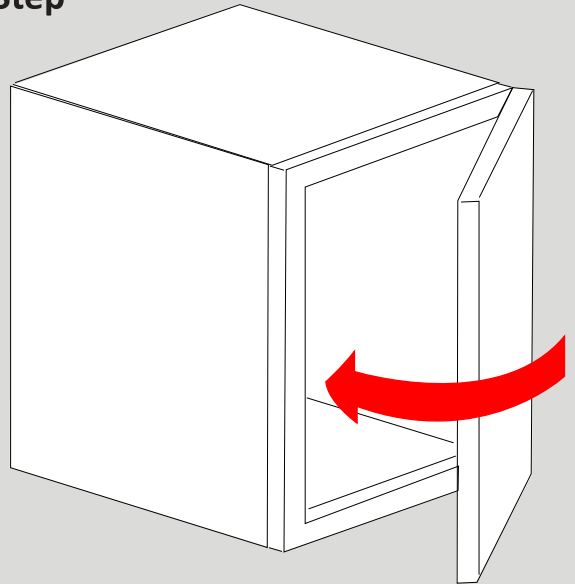
**ON**



**OFF**



**2 Step**



**Door Soft Close Deactivation**

Door must be closed once for the  
deactivation to be complete